

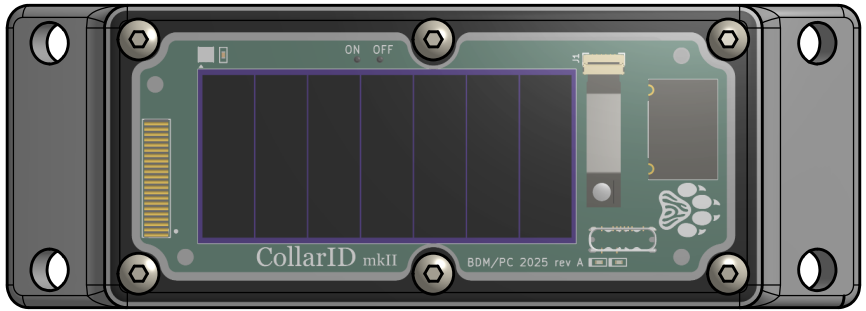
2

1

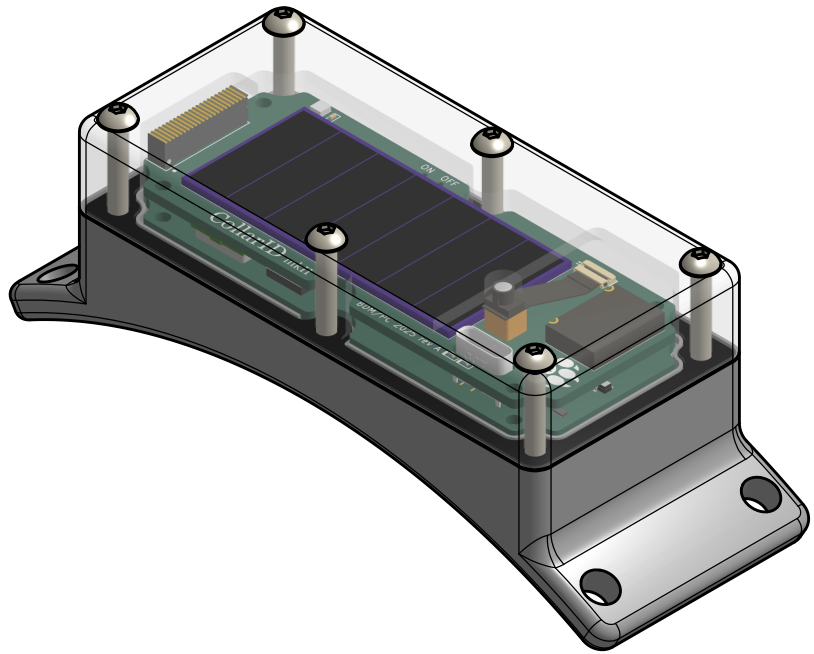
Microphone Port

X ← Acc

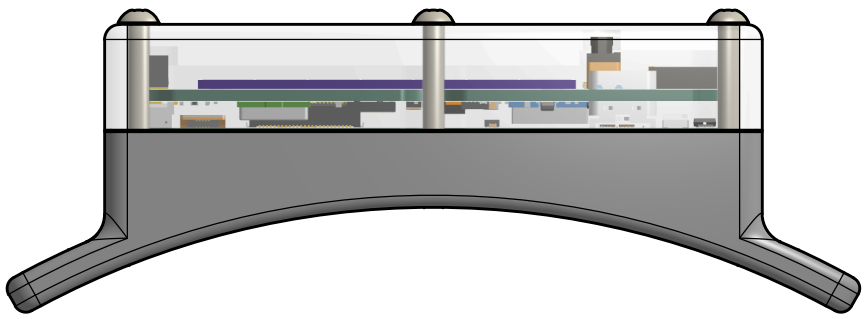
Mag → X



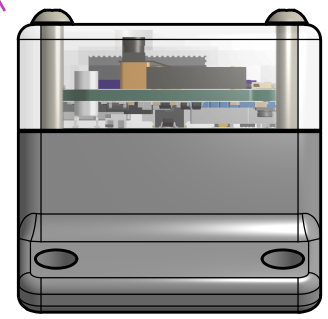
SCALE 1:1



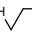

SCALE 1:1



SCALE 1:1



SCALE 1:1

UNLESS OTHERWISE SPECIFIED, DIMENSIONS ARE IN MILLIMETERS ANGULAR = ± ° SURFACE FINISH  DO NOT SCALE DRAWING BREAK ALL SHARP EDGES AND REMOVE BURRS THIRD ANGLE PROJECTION 	DRAWN	NAME	DATE	TITLE <h2 style="text-align: center;">CollarID Mk II</h2>	
	CHECKED	PATRICK CHWALEK	10/29/2025		
	APPROVED				
	MATERIAL	FINISH	SIZE	DWG NO.	REV.
			A		
			SCALE 1:2	WEIGHT	SHEET 1 of 1

2

1

B

B

A

A